

Hidden Faucet Aerator - 1.0 - 2.2 gpm Flow Restricted Tiny Junior Size M18.5x1

Features and Benefits

- Watercolours™ design: Color coding to identify flow rate and stream pattern.
- Patented construction provides a splash-free stream, well-aerated and soft to the touch.
- Anti-clogging dome screen filters sediment and particles.
- Threads directly into the faucet spout. Virtually invisible once installed.
- Vandal resistant by design (install and remove with a special key).

Certifications

ANSI/ NSF * -61-372

ASME A112.18.1M and CSA B125

Meets **CALGreen** requirements (1.5 gpm)

WaterSense (1.0, 1& 1.5 gpm)

2.2 gpm not applicable for WaterSense

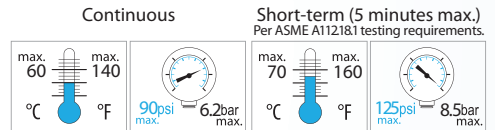


Options Available

Part #	Color	gpm	L/min
CCA-100TJ-N	Cream / Dark Gray	1.0	3.8
CCA-150TJ-N	Green / Dark Gray	1.5	5.7
CCA-220TJ-N	Red / Dark Gray	2.2	8.3
CCT-070	Caché™ Key (Green)		

Technical Data

Materials:	Body	Acetal
	O-ring	Silicone
	Restrictor Disc	Stainless Steel

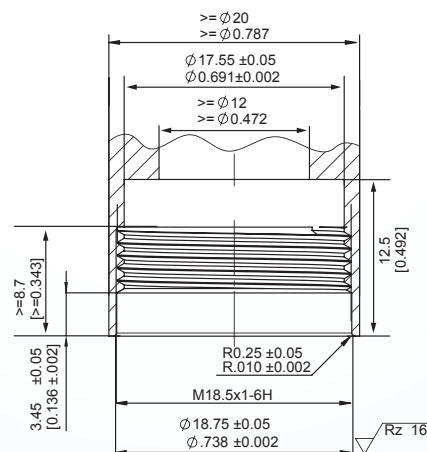


Packaging:

Threaded Insert 1 pc (bag), 6 pcs (bag), 50 pcs (bag)

Dimensions

Mounting Dimensions



Dimensions

